

## CLUB SQ DUO



### DESCRIPTION

#### Seat and backrest

- soft upholstered seat and backrest
- upholstered seat and backrest with integrated armrests

#### Other

- particularly suitable for outdoor use

### FINISHES

#### SPLIT LEATHER



**Composition:** split leather (1.1 - 1.3 mm)

## CONTRACT



**Composition:** 100% polyester

**Weight:** 320 g/m<sup>2</sup>

**Abrasion Resistance:** 100 000 Martindale cycles

**Flammability:** EN 1021-1, EN 1021-2, BS 7176 low hazard, BS 7176 medium hazard, BS 5852 Crib 5, NF P 503 M1, DIN 4102 B1, UNI 9174 Classe 1

**Other:** Recycled EU Flower Certified

## LEATHER IMITATION V



**Composition:** 100% polyester PVC coated

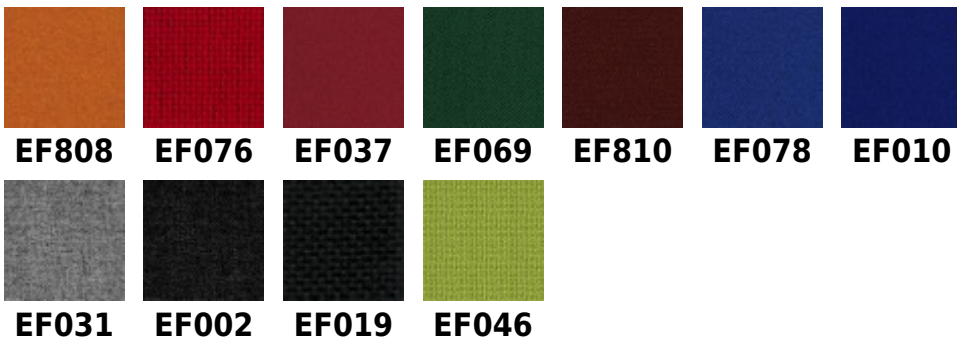
**Weight:** 460 g/m<sup>2</sup>

**Abrasion Resistance:** >=30 000 Martindale cycles

**Flammability:** the selected colours (marked as N) are fire resistant according to EN 1021-1, EN 1021-2, BS 5852-1

**Other:** easy to keep clean

## OBAN



**Composition:** 100% polypropylene

**Weight:** 230 g/m<sup>2</sup>

**Abrasion Resistance:** grade A tested in accordance with EN 14465:2003

**Flammability:** EN 1021-1

**Other:** hygienic certificate by National Hygiene Institute in Poland

### KAIMAN



**Composition:** upper layer: 100% polyurethane

bottom layer: 70% polyester, 30% cotton

**Weight:** 435 g/m<sup>2</sup>

**Abrasion Resistance:** 100 000 Martindale cycles

**Flammability:** BS 5885 Source 0

**Other:** Hydrolisis (DIN EN ISO 32100 (DIN 53351) / DIN 53359) - 15 000 revs

### SEMPRE



**Composition:** 100% polyester

**Weight:** 366 g/m<sup>2</sup>

**Abrasion Resistance:** 160 000 Martindale cycles

**Flammability:** EN 1021-1, EN 1021-2

**Other:** hygienic certificate by National Hygiene Institute in Poland

### VALENCIA



**Composition:** upper layer: 100% vinyl, bottom layer: 100% polyester Hi-Loft

**Weight:** 650 g/m<sup>2</sup>

**Abrasion Resistance:** 300 000 Martindale cycles

**Flammability:** EN 1021-1, EN 1021-2, DIN 4102 B2, NF P 92-503 M2, Önorm B 3825, Önorm A 3800-1 Q1

**Other:** EN 71-3 Safety of toys (migration of certain elements)

PERMABLOK3® - superior antibacterial, antistain and antifungal protection

## XTREME



**Composition:** 100% polyester FR

**Weight:** 310 g/m<sup>2</sup>

**Abrasion Resistance:** 100 000 Martindale cycles

**Flammability:** EN 1021-1, EN 1021-2, BS 7176 low hazard, BS 7176 medium hazard, BS 5852 Crib 5, DIN 4102 B1, UNI 9174 Classe 1

## SILVERTEX



**Composition:** upper layer: 100% vinyl, bottom layer: 100% polyester Hi-Loft

**Weight:** 685 g/m<sup>2</sup>

**Abrasion Resistance:** 300 000 Martindale cycles

**Flammability:** EN 1021-1, EN 1021-2, DIN 4102 B1, NF P 92-503 M2, Önorm B 3825, Önorm A 3800-1 Q1

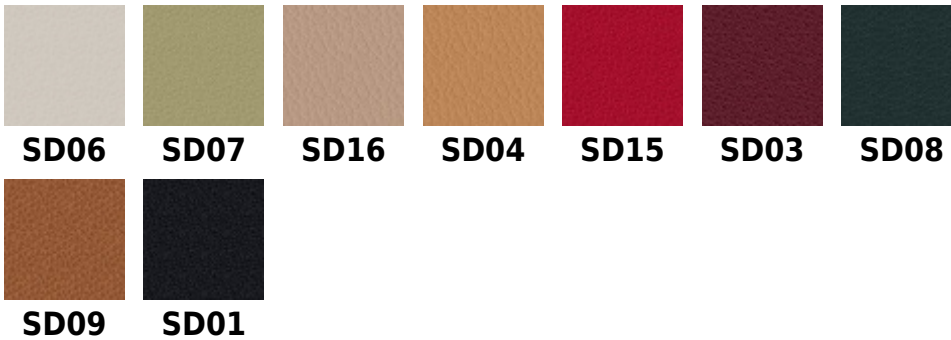
**Other:**

PERMABLOK3® - superior antibacterial, antistain and antifungal protection

SILVERGUARD® - natural environmentally friendly bacteria fighting defense to inhibit odour and stain causing bacteria

(silver ion technology)

**FINE LEATHER SD**



**Composition:** soft grain leather (0.9 - 1.1 mm), thoroughly dyed (completely dyed)

**FINE LEATHER LE**



**Composition:** soft grain leather (0,9 - 1,1 mm), thoroughly dyed (completely dyed)

**FINE LEATHER LE FRONT**



**Composition:** soft grain leather (0,9 - 1,1 mm), thoroughly dyed (completely dyed)

**FINE LEATHER SD FRONT**

**Composition:** soft grain leather (0.9 - 1.1 mm), thoroughly dyed (completely dyed)

**ERA**



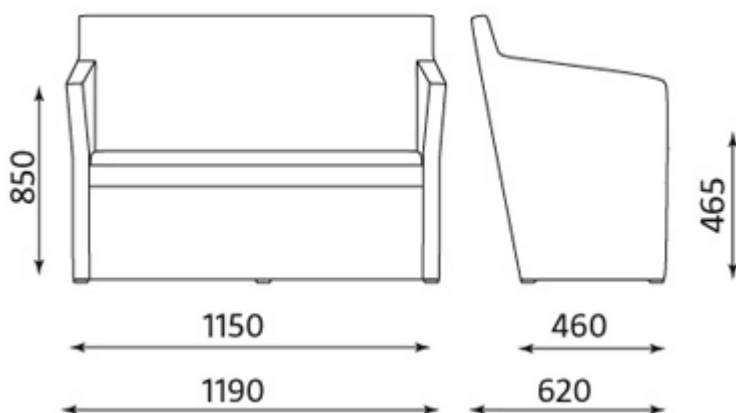
**Composition:** 100% polyester

**Weight:** 320 g/m<sup>2</sup>

**Abrasion Resistance:** ≥100 000 Martindale cycles

**Flammability:** EN 1021-1, EN 1021-2, BS 7176 LOW hazard

## DIMENSIONS



All rights reserved 2013 Nowy Styl Group

### CONTACT

Nowy Styl Sp. z o.o.  
Pużaka 49  
38-400 Krosno  
Tel. +48 13 43 76 100  
Fax +48 13 43 62 732  
info@nowystylgroup.com

### Export Department

Mięsowicza 6  
38-400 Krosno  
Poland  
Tel. +48 13 43 76 111  
export@nowystylgroup.com

### Marketing Department

Warszawska 15  
32-086 Węgrzce  
Poland  
Tel. +48 12 63 98 602