

DREAM



DESCRIPTION

Seat and backrest

- Upholstered seat and backrest with integrated armrests.

FINISHES

LEATHER IMITATION V





Composition: 100% polyester PVC coated

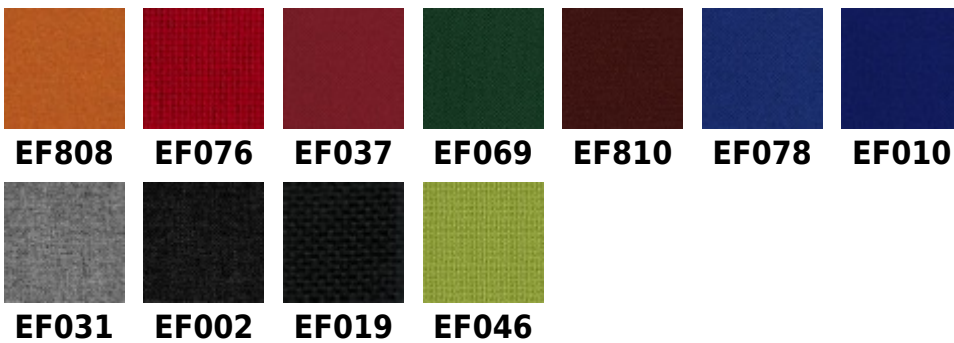
Weight: 460 g/m²

Abrasion Resistance: >=30 000 Martindale cycles

Flammability: the selected colours (marked as N) are fire resistant according to EN 1021-1, EN 1021-2, BS 5852-1

Other: easy to keep clean

OBAN



Composition: 100% polypropylene

Weight: 230 g/m²

Abrasion Resistance: grade A tested in accordance with EN 14465:2003

Flammability: EN 1021-1

Other: hygienic certificate by National Hygiene Institute in Poland

SEMPRE



Composition: 100% polyester

Weight: 366 g/m²

Abrasion Resistance: 160 000 Martindale cycles

Flammability: EN 1021-1, EN 1021-2

Other: hygienic certificate by National Hygiene Institute in Poland

FINE LEATHER LE FRONT



LE06

LE13

LE14

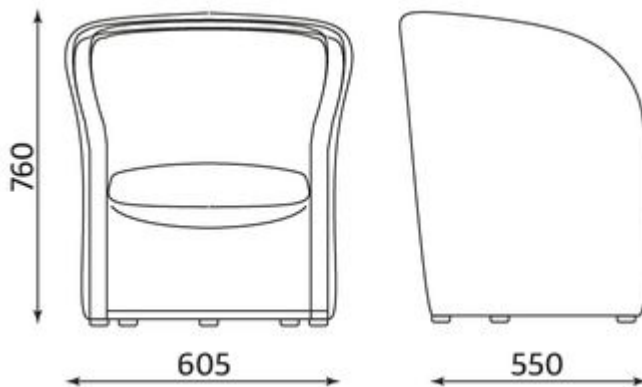
LE01

Composition: soft grain leather (0,9 - 1,1 mm), thoroughly dyed (completely dyed)

FINE LEATHER SD FRONT

Composition: soft grain leather (0.9 - 1.1 mm), thoroughly dyed (completely dyed)

DIMENSIONS



Width: 466

Depth: 457

All rights reserved 2013 Nowy Styl Group

CONTACT

Nowy Styl Sp. z o.o.
Pużaka 49
38-400 Krosno
Tel. +48 13 43 76 100
Fax +48 13 43 62 732
info@nowystylgroup.com

Export Department

Mięsowicza 6
38-400 Krosno
Poland
Tel. +48 13 43 76 111
export@nowystylgroup.com

Marketing Department

Warszawska 15
32-086 Węgrzce
Poland
Tel. +48 12 63 98 602